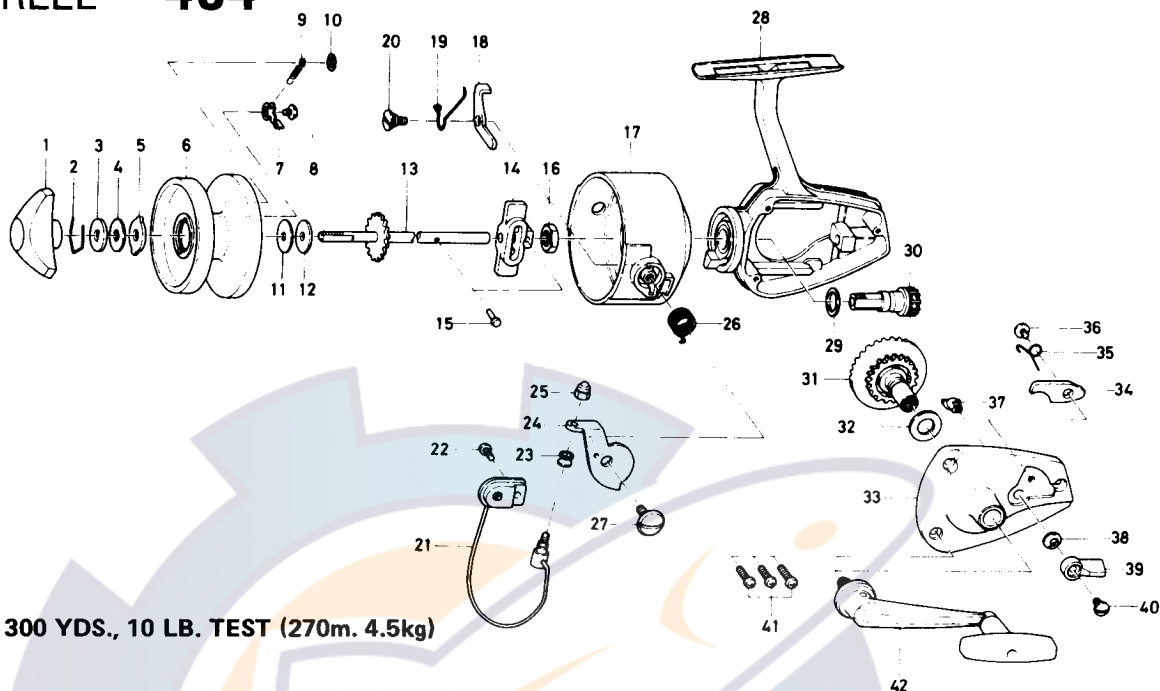


SPINNING REEL 404



LINE CAPACITY: 300 YDS., 10 LB. TEST (270m. 4.5kg)

Key No. 2 ~ 10

6-732-7201 Spool assembly \$3.00

Key No.	Parts No.	Parts Name	Price Per Piece	Key No.	Parts No.	Parts Name	Price Per Piece
1	6-003-4426	Drag knob	\$1.90	22	6-351-8501	Bail holder screw	\$.10
2	6-170-5201	Drag washer retainer	.10	23	6-250-1901	Line roller	.30
3	6-374-8001	Drag D washer	.15	24	6-230-8301	Arm lever	.50
4	6-370-6901	Disc washer	.15	25	6-340-9101	Bail nut	.45
5	6-372-4701	Drag A washer	.10	26	6-140-9231	Bail spring	.15
6	6-513-0402	Spool	N/A	27	6-361-6413	Arm lever screw	.65
7	6-030-6401	Spool click claw	.25	28	6-706-6501	Body	4.00
8	6-352-0601	Spool click claw screw	.10	29	6-371-6420	Pinion washer	.10
9	6-142-0011	Spool click claw spring	.15	30	6-402-8201	Pinion gear	.75
10	6-320-9701	Spool click claw spring retainer	.10	31	6-413-7501	Drive gear	1.95
11	6-371-4410	Spool adjusting washer	.10	32	6-370-7510	Drive gear washer	.10
12	6-371-4411	Spool washer	.10	33	6-063-1101	Body cover	1.35
13	6-711-2701	Main shaft	.95	34	6-111-3501	Anti-reverse claw	.20
14	6-481-1901	Oscillating slider	.35	35	6-144-0001	Anti-reverse claw spring	.15
15	6-121-6301	Oscillating slider pin	.10	36	6-351-6102	Anti-reverse claw screw	.10
16	6-340-6602	Rotor nut	.20	37	6-461-2201	Anti-reverse cam	.30
17	6-201-9901	Rotor	2.75	38	6-150-1751	Anti-reverse lever washer	.10
18	6-570-8602	Bail kick lever	.30	39	6-540-3711	Anti-reverse lever	.30
19	6-140-6231	Bail kick lever spring	.10	40	6-350-1931	Anti-reverse lever screw	.10
20	6-361-1512	Bail kick lever screw	.25	41	6-351-8501	Body cover screw	.10
21	6-007-6201	Bail	2.25	42	6-747-0301	Handle	2.50